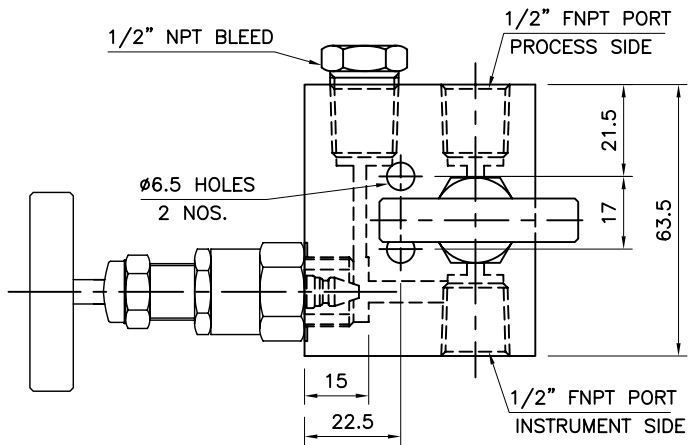
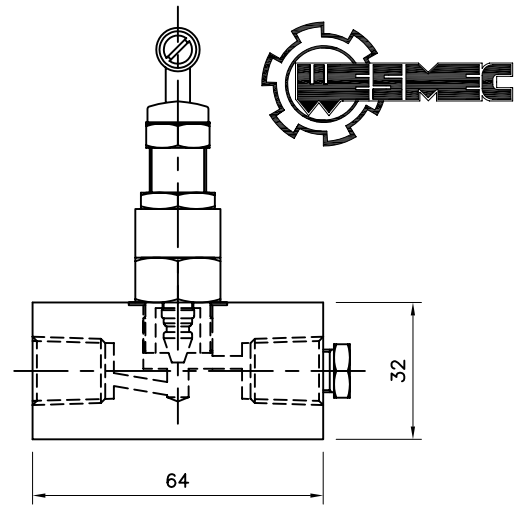
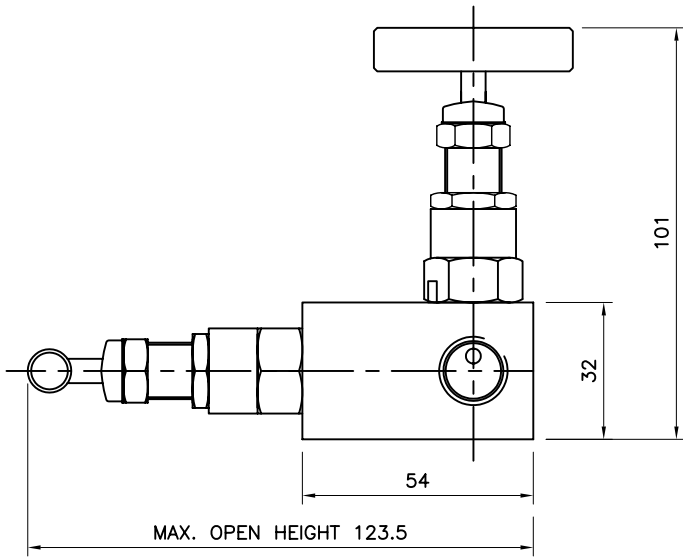
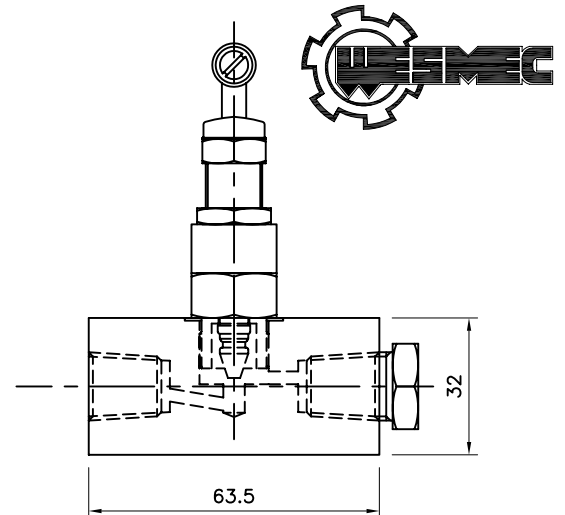
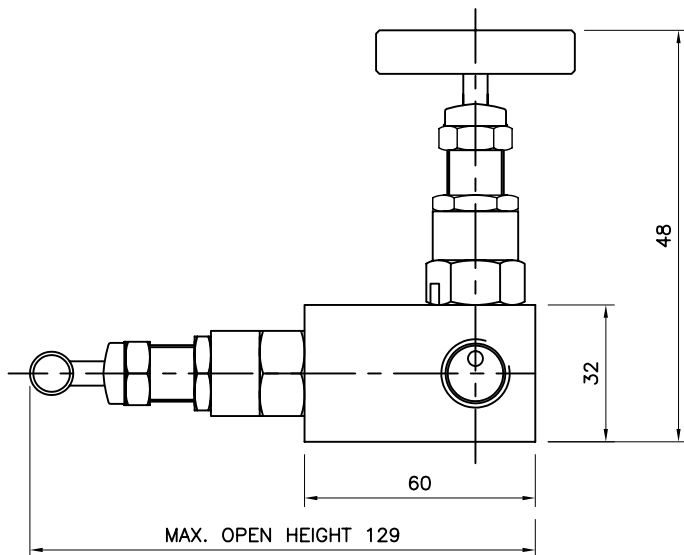
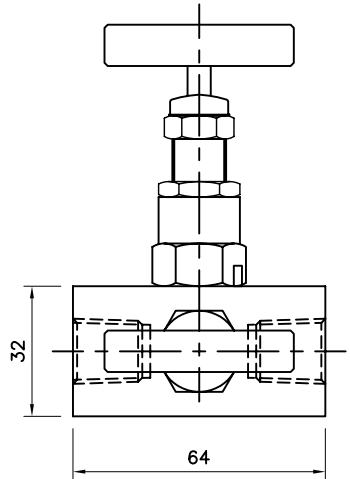
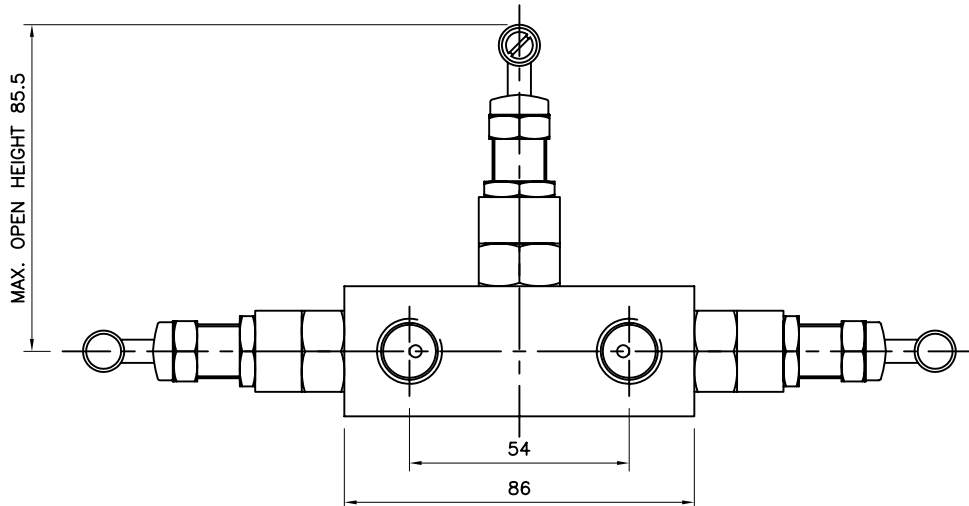
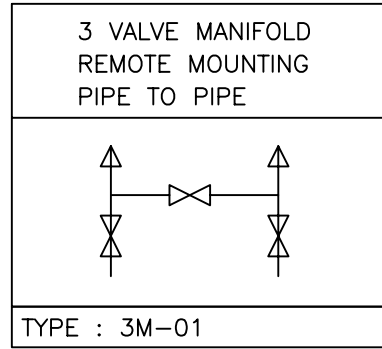
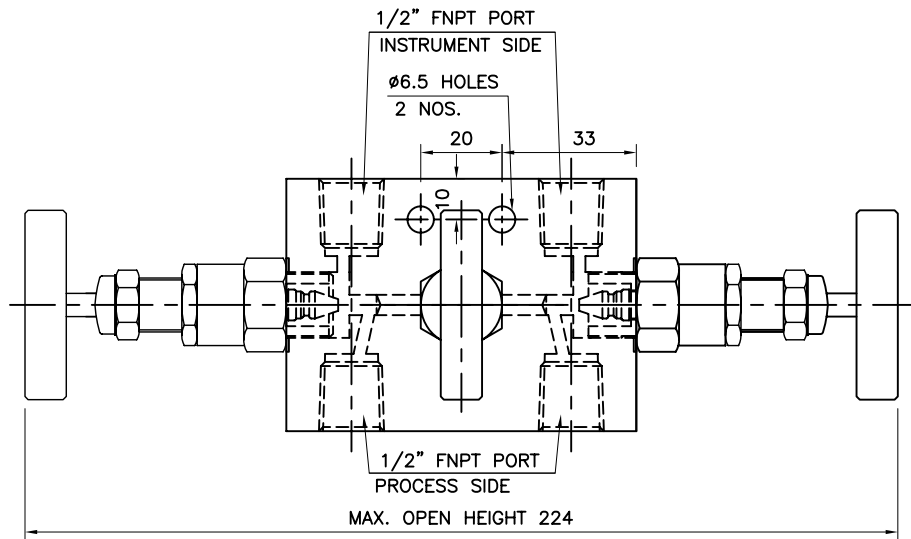
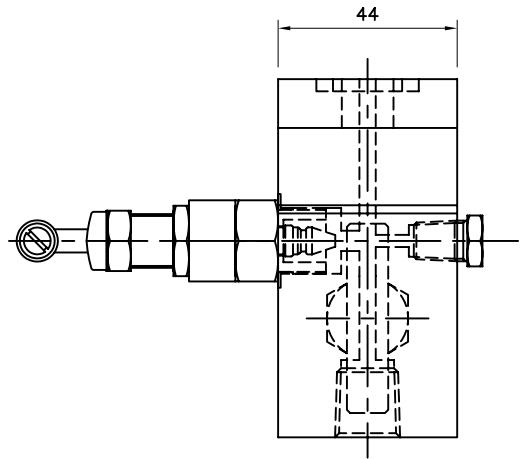
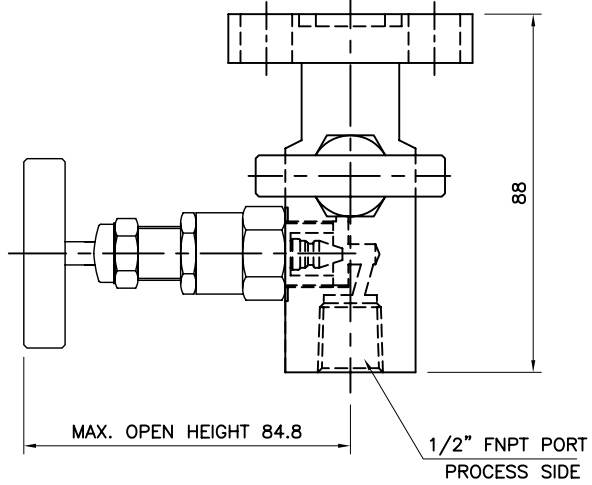
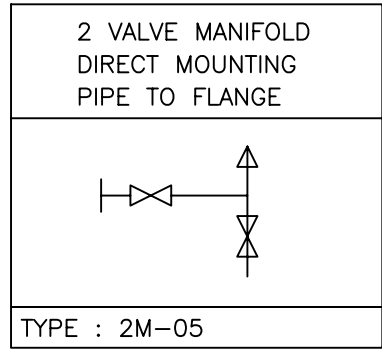
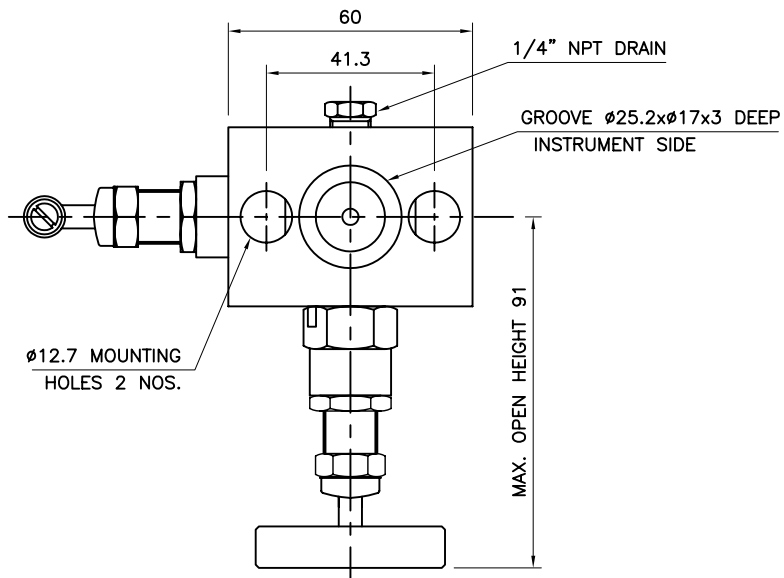


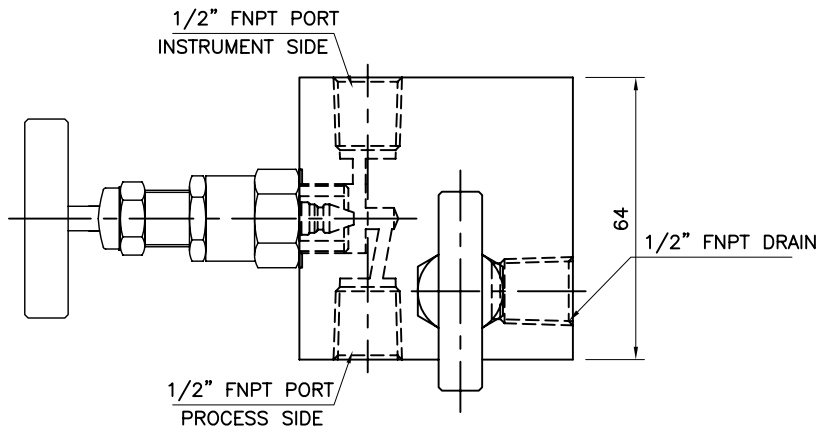
2 VALVE MANIFOLD REMOTE MOUNTING FEMALE x FEMALE
TYPE : 2M-01



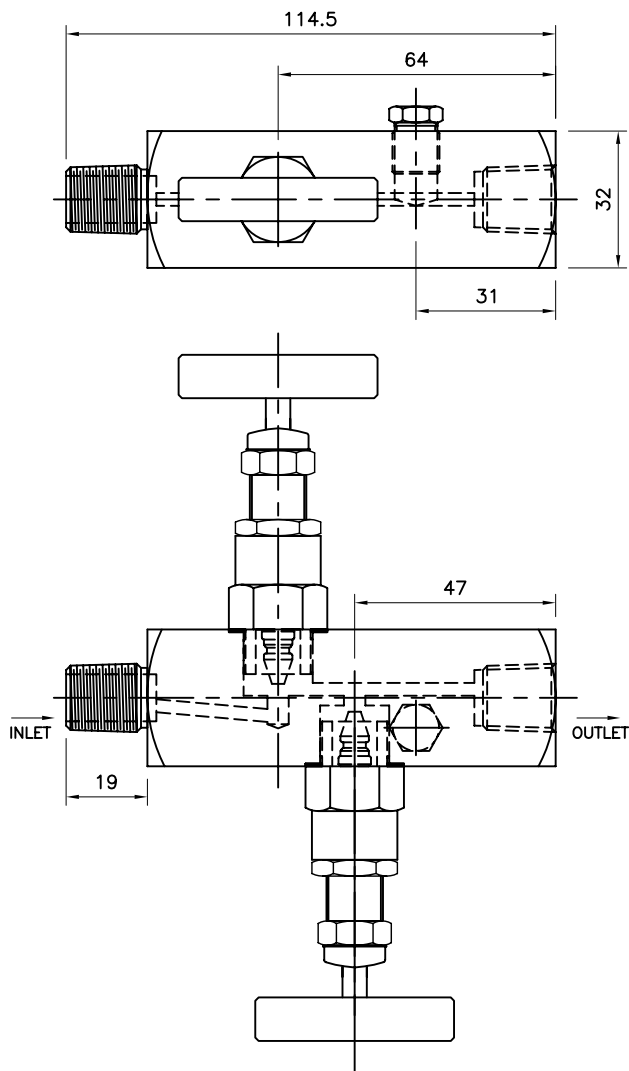
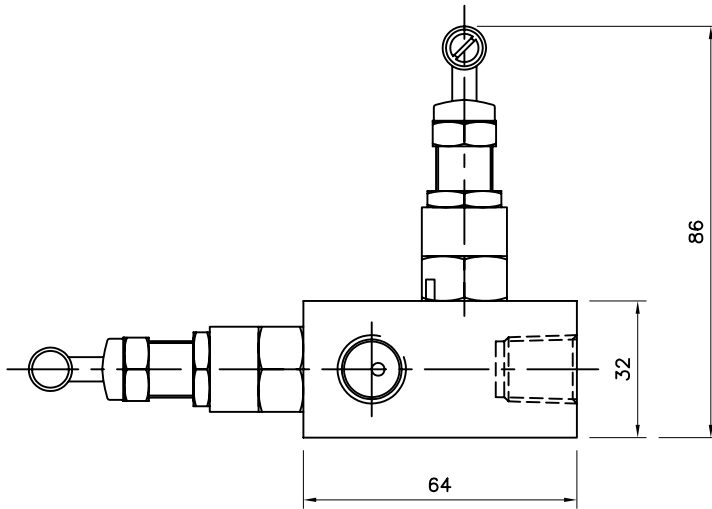
2 VALVE MANIFOLD REMOTE MOUNTING FEMALE x FEMALE
TYPE : 2M-02



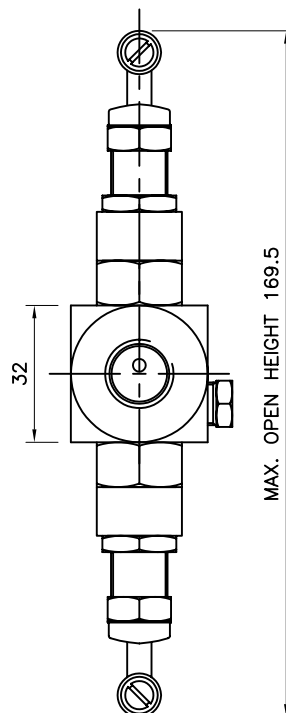


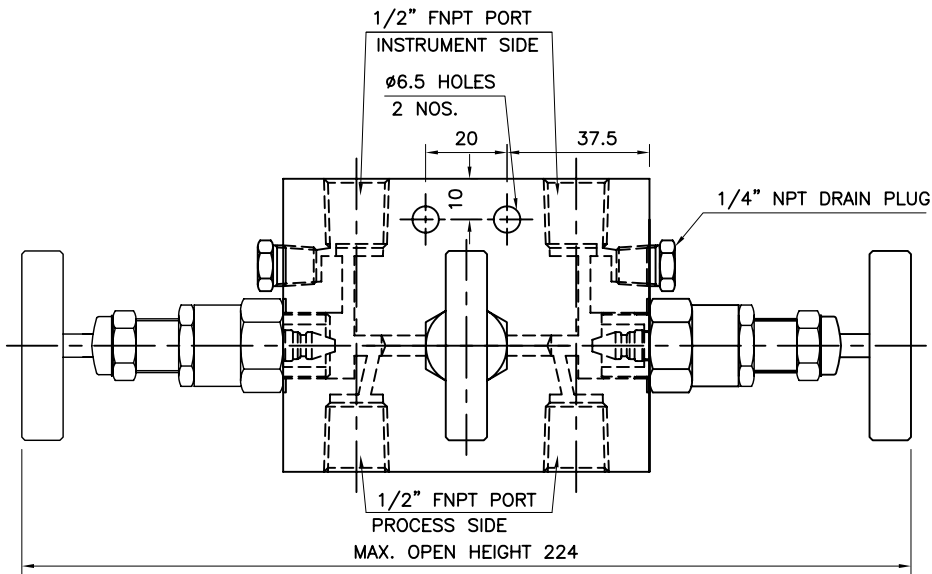


2 VALVE MANIFOLD FEMALE x FEMALE
TYPE : 2M-03



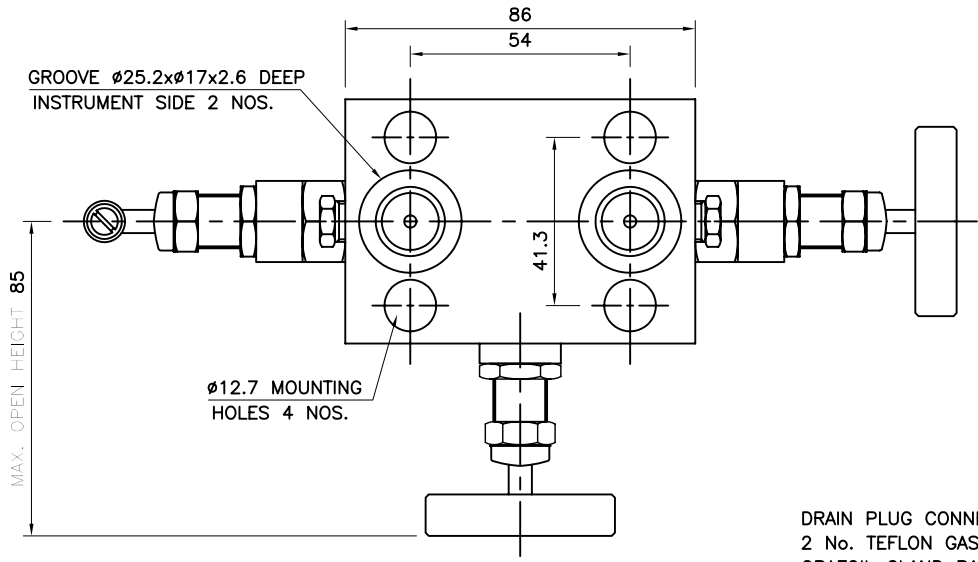
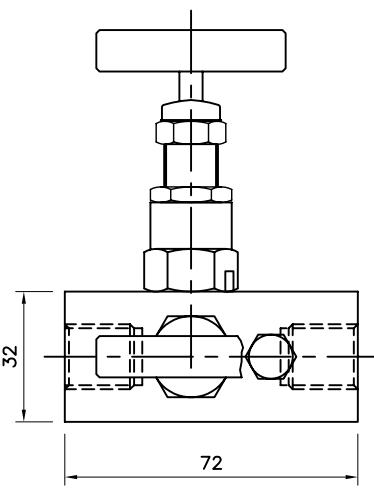
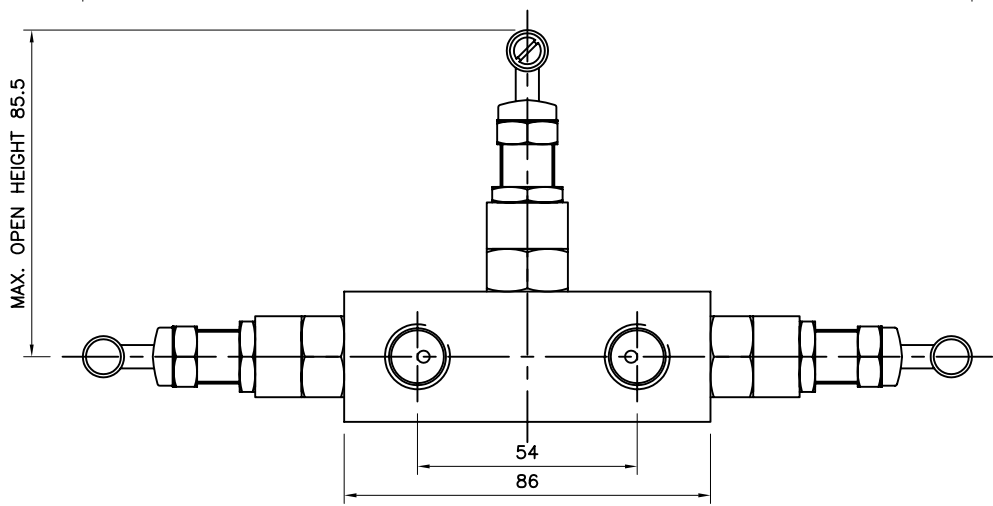
2 VALVE MANIFOLD MALE x FEMALE
TYPE : 2M-04





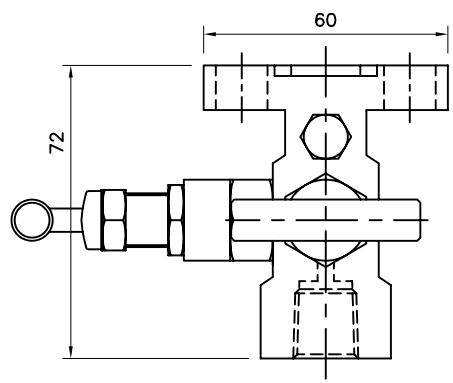
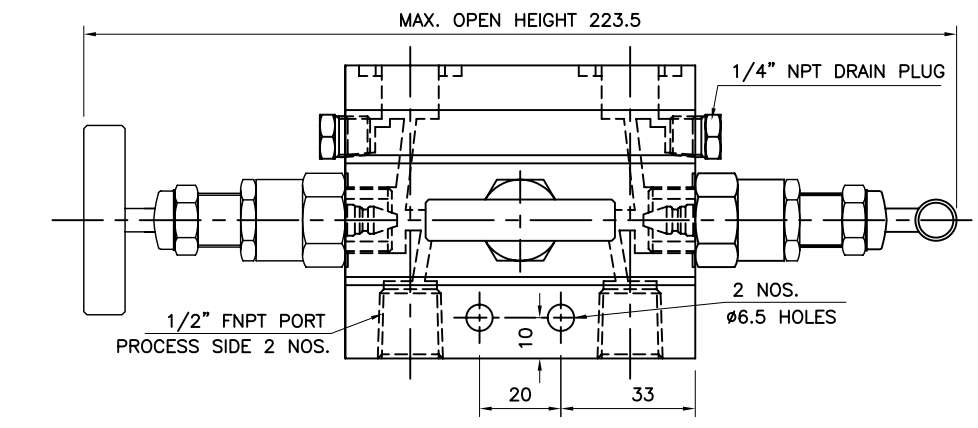
3 VALVE MANIFOLD
REMOTE MOUNTING
PIPE TO PIPE

TYPE : 3M-02

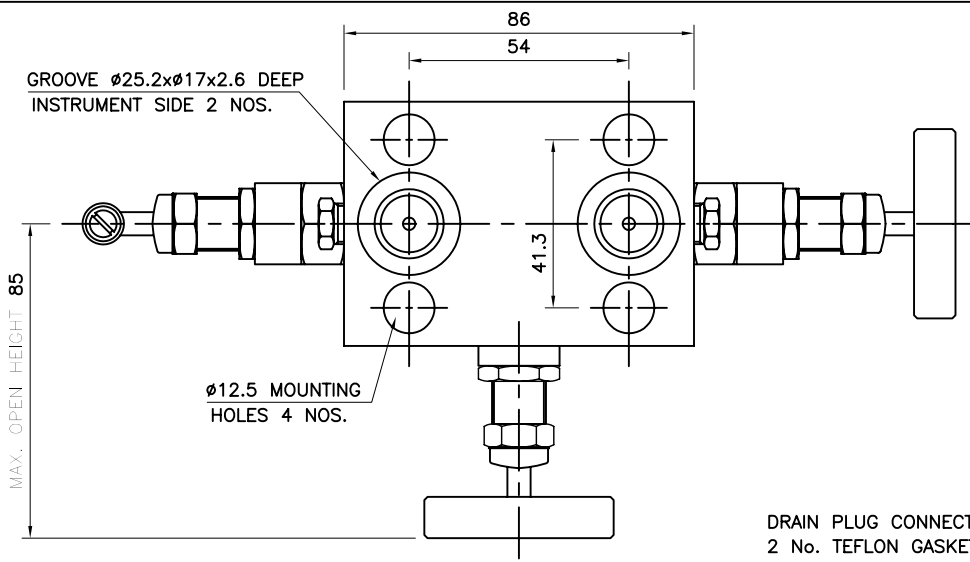


3 VALVE MANIFOLD
DIRECT MOUNTING
PIPE TO FLANGE

TYPE : 3M-03



DRAIN PLUG CONNECTION OPTIONAL
2 No. TEFLON GASKETS & 4 No. C S GALVANIZED BOLTS PROVIDED
QRAFOIL GLAND PACKING & S.S. BOLTS PROVIDED OPTIONAL.

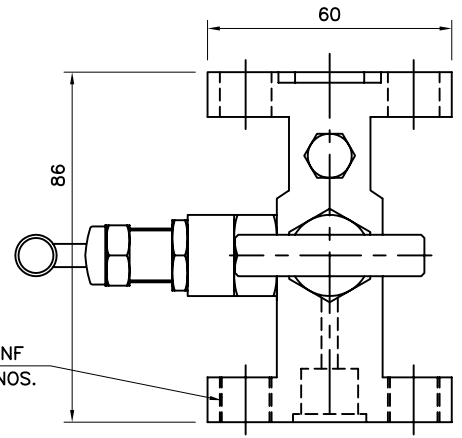
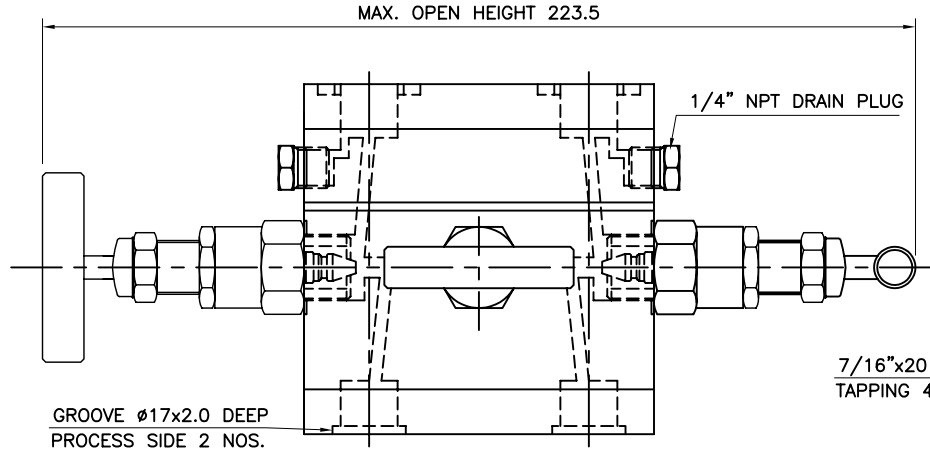


3 VALVE MANIFOLD
DIRECT MOUNTING
FLANGE TO FLANGE

TYPE : 3M-04



DRAIN PLUG CONNECTION OPTIONAL
2 No. TEFLON GASKETS & 4 No. C S GALVANIZED BOLTS PROVIDED
QRAFOIL GLAND PACKING & S.S. BOLTS PROVIDED OPTIONAL.



3 VALVE MANIFOLD
DIRECT MOUNTING
PIPE TO FLANGE

TYPE : 3M-05

