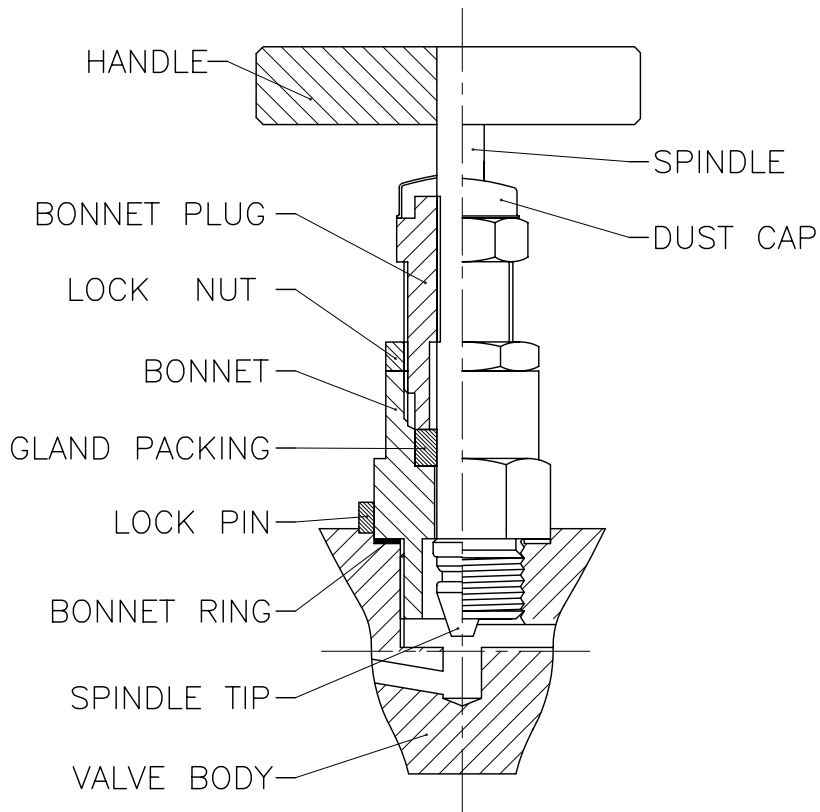
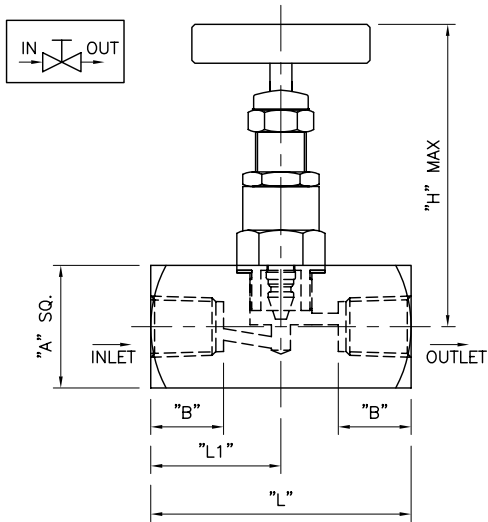


WESMEC HIGH PRESSURE NEEDLE VALVES



TYPE NVF-01

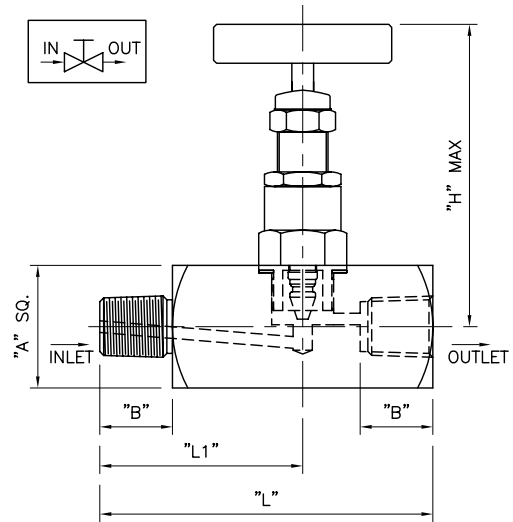
FEMALE x FEMALE



SIZE	A	B	L	L1	H	PART NO.
1/8"	28	10	56	28	87	2NVF
1/4"	28	14	56	28	87	4NVF
3/8"	28	14	56	28	87	6NVF
1/2"	32	19	64	32	89	8NVF
3/4"	38	19	64	32	92	10NVF
1"	45	24	78	39	96	16NVF

TYPE NVF-02

MALE x FEMALE

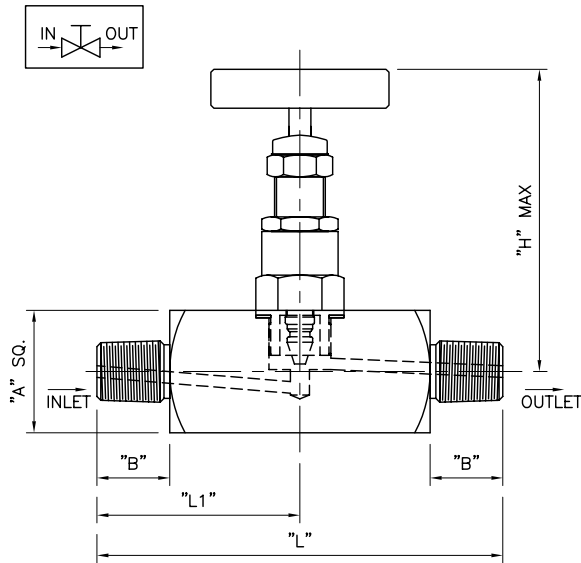


SIZE	A	B	L	L1	H	PART NO.
1/8"	28	10	56	28	87	2NVMF
1/4"	28	14	60	32	87	4NVMF
3/8"	28	14	60	32	87	6NVMF
1/2"	32	19	72	38	89	8NVMF
3/4"	38	19	72	38	92	10NVMF
1"	45	24	84	44	96	16NVMF

WESMEC HIGH PRESSURE NEEDLE VALVES

TYPE NVF-03

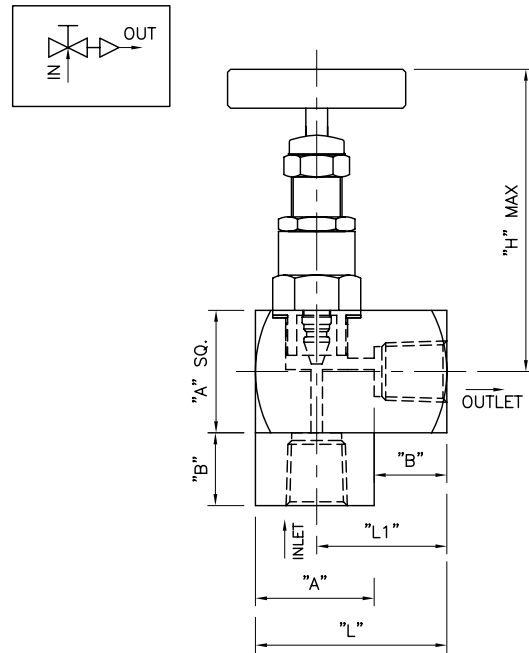
MALE x MALE



SIZE	A	B	L	L1	H	PART NO.
1/8"	28	10	56	28	87	2NVMM
1/4"	28	14	60	30	87	4NVMM
3/8"	28	14	60	30	87	6NVMM
1/2"	32	19	72	36	89	8NVMM
3/4"	38	19	72	36	92	10NVMM
1"	45	24	88	44	96	16NVMM

TYPE NVF-04

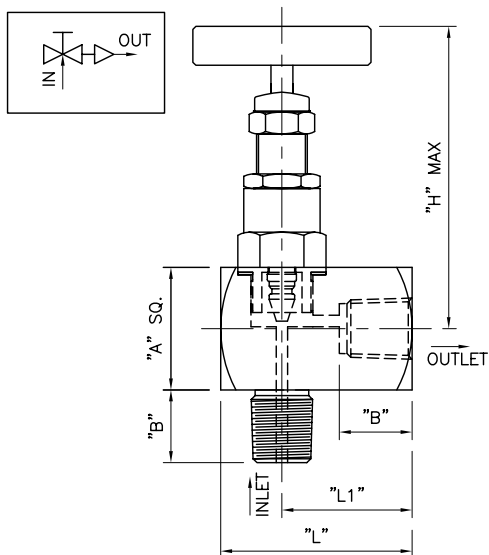
FEMALE x FEMALE (ANGLE TYPE)



SIZE	A	B	L	L1	H	PART NO.
1/8"	28	10	42	28	87	2NVAFF
1/4"	28	14	42	28	87	4NVAFF
3/8"	28	14	42	28	87	6NVAFF
1/2"	32	19	50	34	89	8NVAFF
3/4"	38	19	56	37	92	10NVAFF
1"	45	24	68	46	96	16NVAFF

TYPE NVF-05

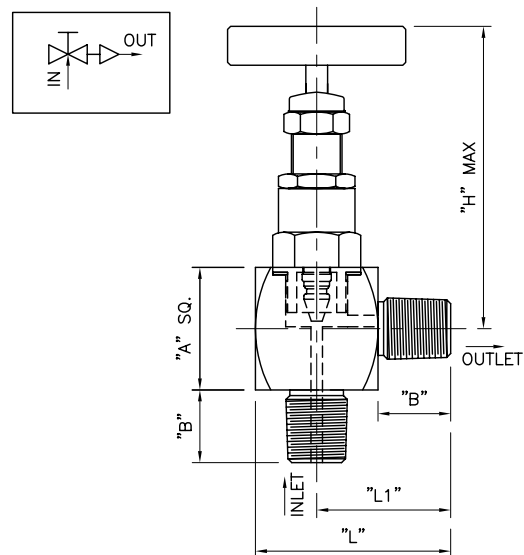
MALE x FEMALE (ANGLE TYPE)



SIZE	A	B	L	L1	H	PART NO.
1/8"	28	10	42	28	87	2NVAMF
1/4"	28	14	42	28	87	4NVAMF
3/8"	28	14	42	28	87	6NVAMF
1/2"	32	19	50	34	89	8NVAMF
3/4"	38	19	56	37	92	10NVAMF
1"	45	24	68	46	96	16NVAMF

TYPE NVF-06

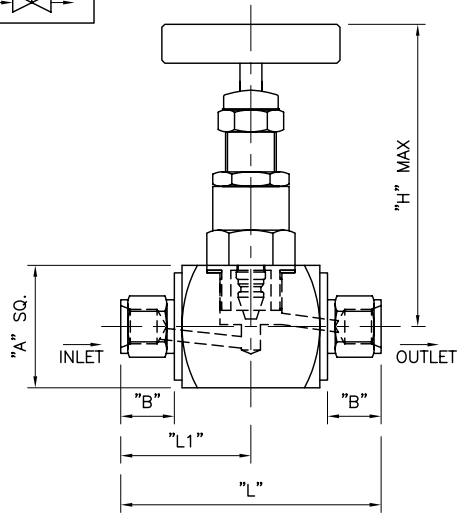
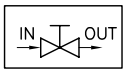
MALE x MALE (ANGLE TYPE)



SIZE	A	B	L	L1	H	PART NO.
1/8"	28	10	38	24	87	2NVAMM
1/4"	28	14	42	28	87	4NVAMM
3/8"	28	14	42	28	87	6NVAMM
1/2"	32	19	50	35	89	8NVAMM
3/4"	38	19	57	38	92	10NVAMM
1"	45	24	68	46	96	16NVAMM

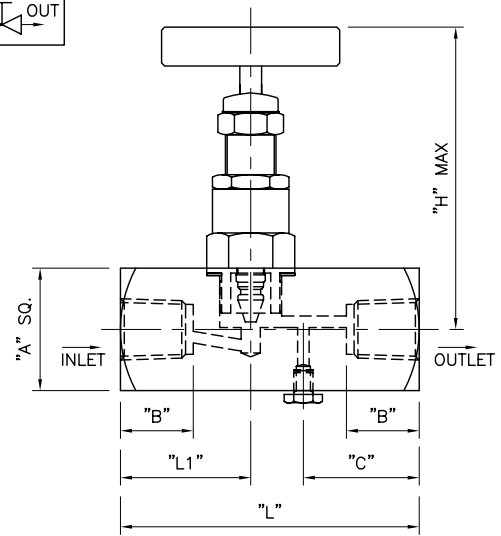
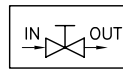
WESMEC HIGH PRESSURE NEEDLE VALVES

TYPE NVF-07
TUBE END X TUBE END



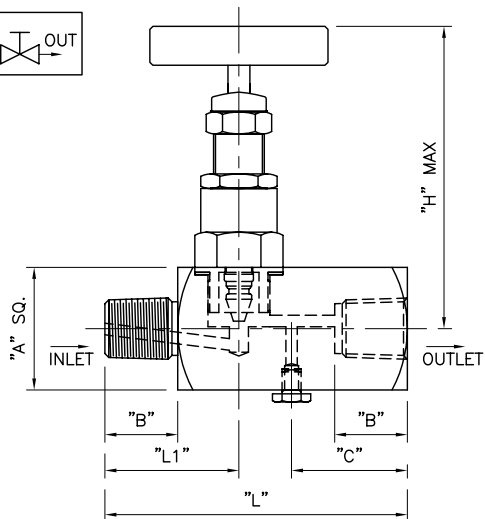
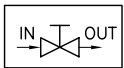
SIZE TUBE O. D.	A	B	L	L1	H	PART NO.
1/4"	28	17.8	64	32	87	4NVOD
3/8"	28	19.3	68	34	87	6NVOD
1/2"	28	21.8	72	36	87	8NVOD
3/4"	32	21.8	76	38	89	10NVOD
1"	42	26.4	96	48	94	16NVOD

TYPE NVF-08
FEMALE x FEMALE (WITH WENT PLUG)



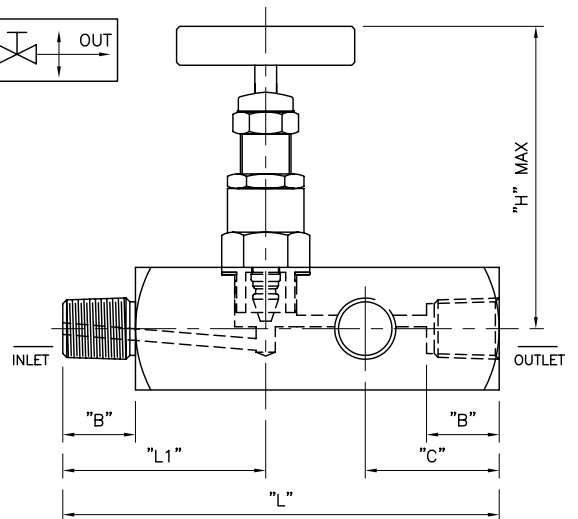
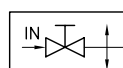
SIZE	A	B	C	L	L1	H	PART NO.
1/4"	28	14	25	74	28	87	4NVDF
3/8"	28	14	25	74	28	87	6NVDF
1/2"	32	19	30	84	35	89	8NVDF

TYPE NVF-09
MALE x FEMALE (WITH WENT PLUG)



SIZE	A	B	C	L	L1	H	PART NO.
1/4"	28	14	25	74	28	87	4NVDMF
3/8"	28	14	25	74	28	87	6NVDMF
1/2"	32	19	30	84	35	89	8NVDMF

TYPE NVF-10
MALE INLET x 3 FEMALE OUTLET



SIZE	A	B	C	L	L1	H	PART NO.
1/4"	28	14	28	82	28	87	4NVMP
3/8"	28	14	28	82	28	87	6NVMP
1/2"	32	19	32	117	35	89	8NVMP